

BS Mechanical Engineering Suggested Four Year Plan

2018-2019 Catalog

(9/20/2018)

A grade of C- or better is required in "Major Requirements Courses"

CS 1336 is required of students with no prior programming experience
Not For Credit in ECS
C- or better needed

Freshman Fall (16 SCH)

Description	Course No
Intro to Engr & CS	ECS 1100
Intro to Mechanical Engineering I	MECH 1100
Calculus I	MATH 2417 or 2413
General Chemistry I & Lab	CHEM 1311/1111
Freshman Seminar	UNIV 1010
Intro to Programming	CS 1325
3 hours CORE: choices below	

Freshman Spring (16 SCH)

Description	Course No
Intro to Mechanical Engineering II	MECH 1208
Calculus II	MATH 2419 or 2414
Linear Algebra for Engineers	ENGR 2300
Mechanics	PHYS 2325
Physics Laboratory I	PHYS 2125
3 hours CORE	RHET 1302

Multivariate Calculus (Summer)

MATH 2415

Sophomore Fall (17 SCH)

Description	Course No
Statics	MECH 2310
Differential Equations with Apps	MATH 2420
Advanced Engineering Math	ENGR 3300
Probability Theory and Statistics	ENGR 3341
Electromagnetism and Waves	PHYS 2326
Physics Laboratory II	PHYS 2126

Sophomore Spring (17 SCH)

Description	Course No
Mechanics of Materials	MECH 2320
Mechanics of Materials Lab	MECH 2120
Computer Aided Design	MECH 3305
CAD Laboratory	MECH 3105
Thermodynamics	MECH 3310
Dynamics	MECH 2330
3 hours CORE: choices below	

Junior Fall (15 SCH)

Description	Course No
Fluid Mechanics	MECH 3315
Kinematics & Dynamics	MECH 3350
Prof & Tech Communication	ECS 3390
6 hours CORE: choices below	GOVT 2305

Junior Spring (17 SCH)

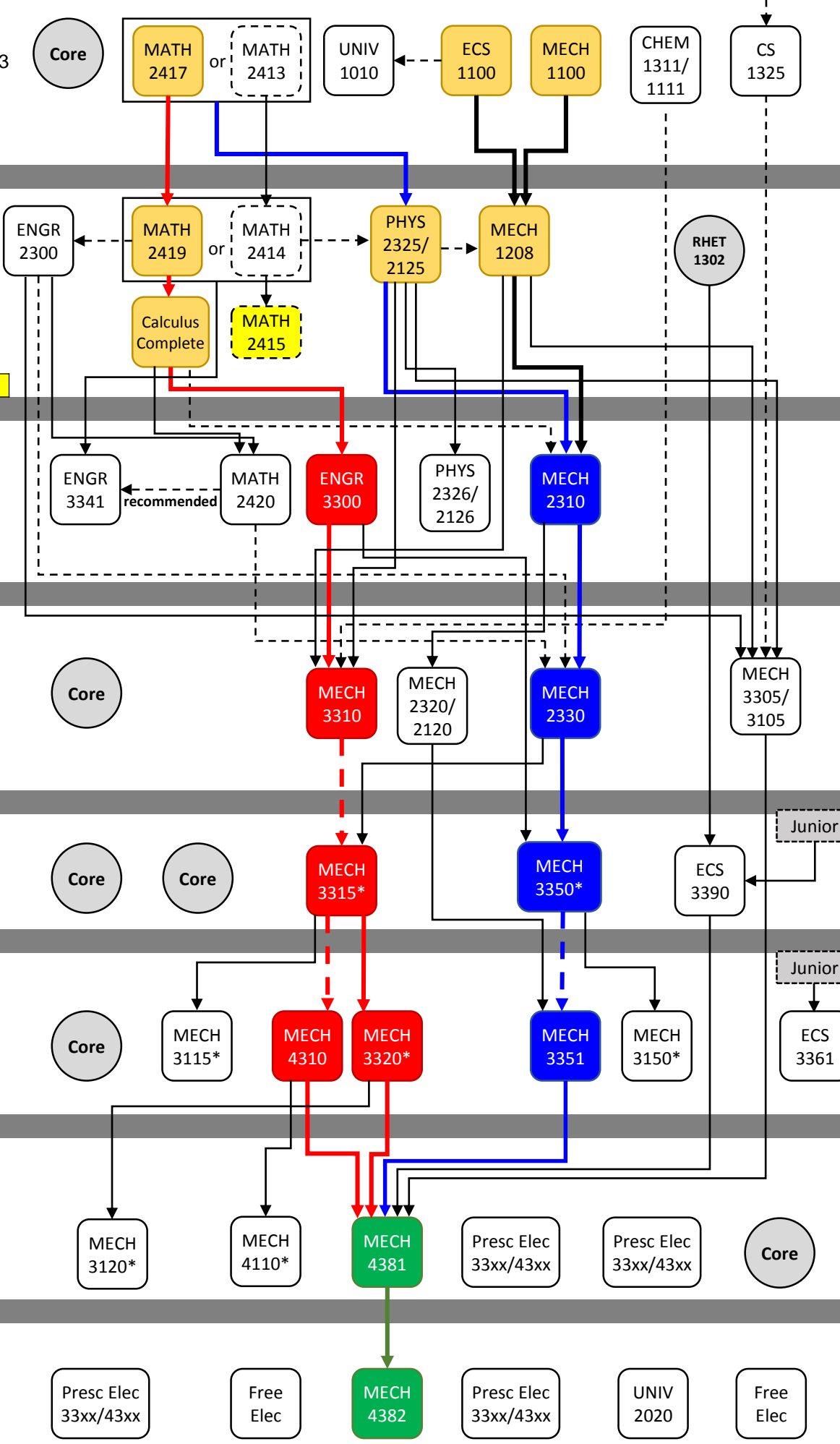
Description	Course No
Fluid Mechanics Lab	MECH 3115
Kinematics & Dynamics Lab	MECH 3150
Heat Transfer	MECH 3320
Design of Mechanical Systems	MECH 3351
Systems and Controls	MECH 4310
6 hours CORE: choices below	GOVT 2306

Senior Fall (14 SCH)

Description	Course No
Heat Transfer Lab	MECH 3120
Systems and Controls Lab	MECH 4110
Senior Design Project I	MECH 4381
Prescribed Elective	MECH 33XX/43XX
Prescribed Elective	MECH 33XX/43XX
Social Issues & Ethics in CS&E	ECS 3361

Senior Spring (15 SCH)

Description	Course No
Senior Design Project II	MECH 4382
Prescribed Elective	MECH 33XX/43XX
Prescribed Elective	MECH 33XX/43XX
Free Elective	See Advisor
Free Elective	See Advisor
Core Curriculum Assessment	UNIV 2020



Core Courses			
RHET 1302	3 hours from:		3 hours from:
	AHST 1303, DANC 1310	AMS 2300, LIT 2331	HIST 1301 HIST 2330
	GOVT 2305 1304, 2331 FILM 2332	2341 PHIL 1301	HIST 1302 HIST 2332
GOVT 2306	ARTS 1301 MUSI 1306	HUMA PHIL 1316, 1317	HIST 2301
	THEA 1310		

* Take LAB next long semester

Courses may be taken in any order, as long as prerequisites are met.
See UG catalog for complete pre/co-requisites.

LEGEND

- Prerequisite
- Prereq Critical Path
- - - - - Pre- or Co-requisite